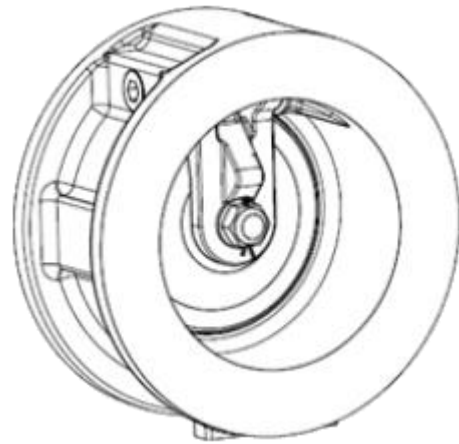


# IPV Wafer Single Door Check Valve Customer Information Document



Series 6143



SOUTHERN AFRICA





## IPV Wafer Single Door Check Valve

The AVK – IPV brand products were designed for heavy duty, difficult and critical applications in mind for the Chemical, Petro-chemical, Mining and Slurry segments. The first valves were introduced to the South African market more than 50 years ago.

Wafer Single Door Check Valves is available in sizes DN50 – DN350, and Class #150 & #300

The IPV Wafer Single Door Check Valve design is manufactured as One Piece Body Design – DN50 to DN350

Understanding the IPV Factory Figure Number Description –

C523 – IPV Check, Class #150, Body = WCB; Disc (Clack) = CF8M

C623 – IPV Check, Class #300, Body = WCB; Disc (Clack) = CF8M

C533 – IPV Check, Class #150, Body = CF8M; Disc (Clack) = CF8M

C633 – IPV Check, Class #300, Body = CF8M; Disc (Clack) = CF8M

On request only –

C544 – IPV Check, Class #150, Body = CN7M (Alloy 20); Disc (Clack) = CN7M (Alloy 20)



**SAVAMA**  
SOUTH AFRICAN VALVE AND ACTUATOR MANUFACTURERS ASSOCIATION





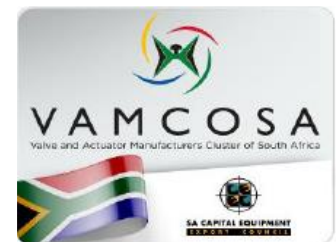
## IPV Wafer Single Door Check Valve

### Features & Benefits

- One-piece body greater mechanical strength and no potential leak paths.
- Compact saving on handling and storage
- Venturi design smoother flow, less turbulence
- O-ring, metal or hard-faced seat
- Spring loaded disc reduces water hammer and slam
- Self aligning disc ensures tight seal and reduces wear
- Lightweight reduces pipe stress and valve support
- Sturdy hinge extends operation of valve
- Internal spring reliability of operation
- Available in pressure ratings ASME #150: 1895 kPa @ 38°C and ASME #300: 4965 kPa @38°C
- Each valve is pressure tested and assigned a serial number – No batch testing – assuring quality & traceability
- All parts and components are locally manufactured



**SAVAMA**  
SOUTH AFRICAN VALVE AND ACTUATOR MANUFACTURERS ASSOCIATION





## IPV Wafer Single Door Check Valve

### Materials of Construction

Description	Carbon Steel	Stainless Steel
Eye Bolt (1)	Mild Steel	316SS
Body (2) *	ASTM A216 Grade WCB	ASTM A351 Grade CF8M
Disc (6)	ASTM A351 Grade CF8M	ASTM A351 Grade CF8M
Hinge (7)	AISI Grade 316	AISI Grade 316
Hinge Pin (3)	AISI Grade 316	AISI Grade 316
Spring (4)	AISI Grade 302	AISI Grade 302
Spacer (5)	PTFE / AISI Grade 316	PTFE / AISI Grade 316
Lock Pin (8)	AISI Grade 316	AISI Grade 316
Seat (9)	Carbon Steel/ 316 Stainless/ Stellite/ Viton or Buna-N O-ring	Carbon Steel/ 316 Stainless/ Stellite/ Viton or Buna-N O-ring
Disc Nut (10)	Stainless Steel	Stainless Steel

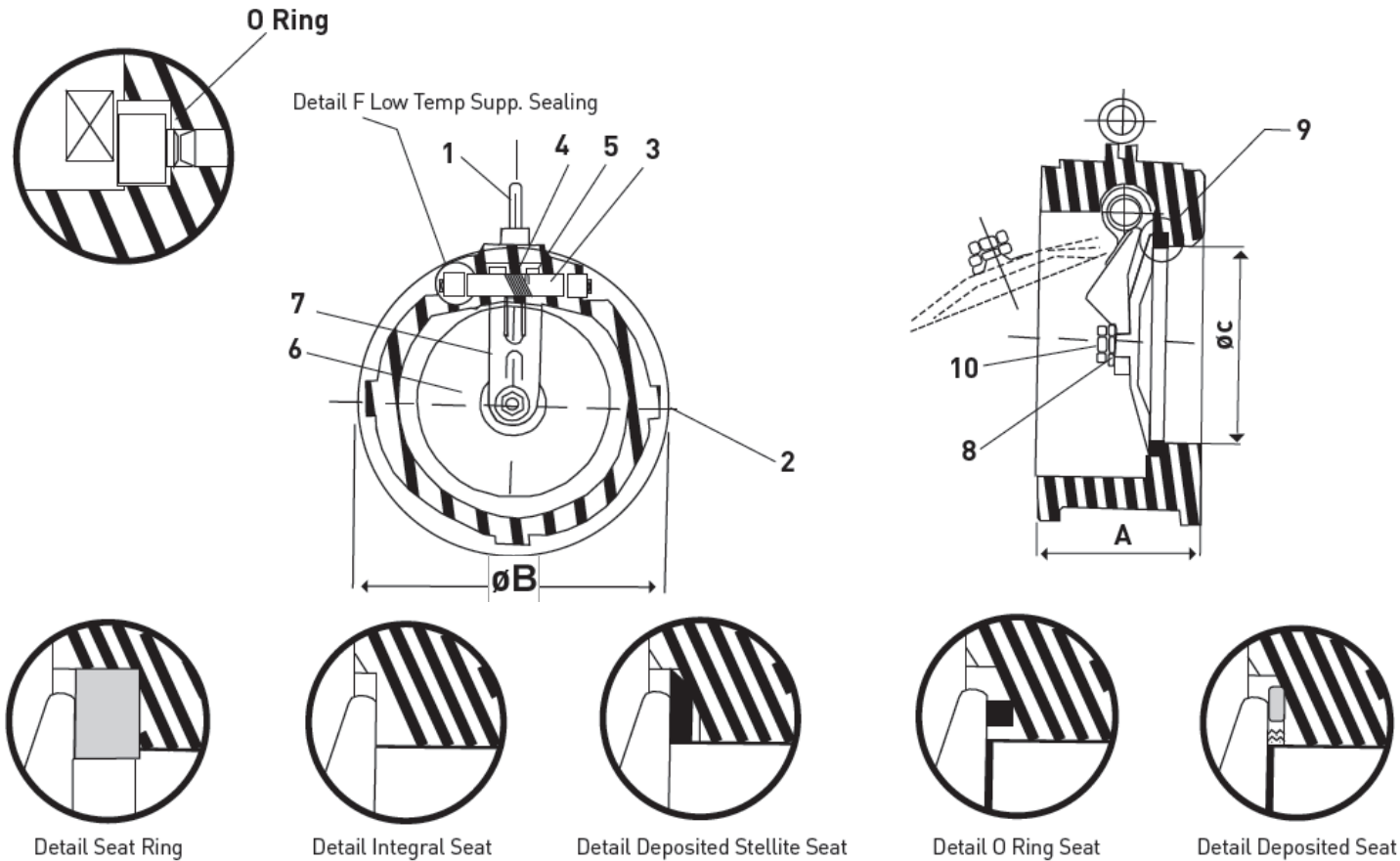
\* O-Ring soft seal available on request

**Note:** Other materials available on request for example – CN7M (Alloy 20)



# IPV Wafer Single Door Check Valve

## Main dimensions and Mass





# IPV Wafer Single Door Check Valve

## Main dimensions and Mass

A			B				C	Mass Kg	
Valve Size	API 594 / CL150	API 594 / CL300	BS4504 / T16	BS4504 / T25 / T40	ANSI B16.5 / CL125 / CL150	ANSI B16.5 / CL300	PORT DIA.	CL150	CL300
50	60	60	109	109	105	111	38	2.8	2.8
80	73	73	144	144	136	149	55	4.2	4.5
100	73	73	164	170	175	181	73	6.5	7
150	98	98	220	226	222	251	120	14	14
200	127	127	275	286	279	304	155	35	37
250	146	146	331	343	340	362	186	51	52
300	181	181	386	403	410	422	222	72	79
350	184	222	446	460	448	486	262	83	110



**SAVAMA**  
SOUTH AFRICAN VALVE AND ACTUATOR MANUFACTURERS ASSOCIATION



**NB:** Details and Images in this document may change without prior notification