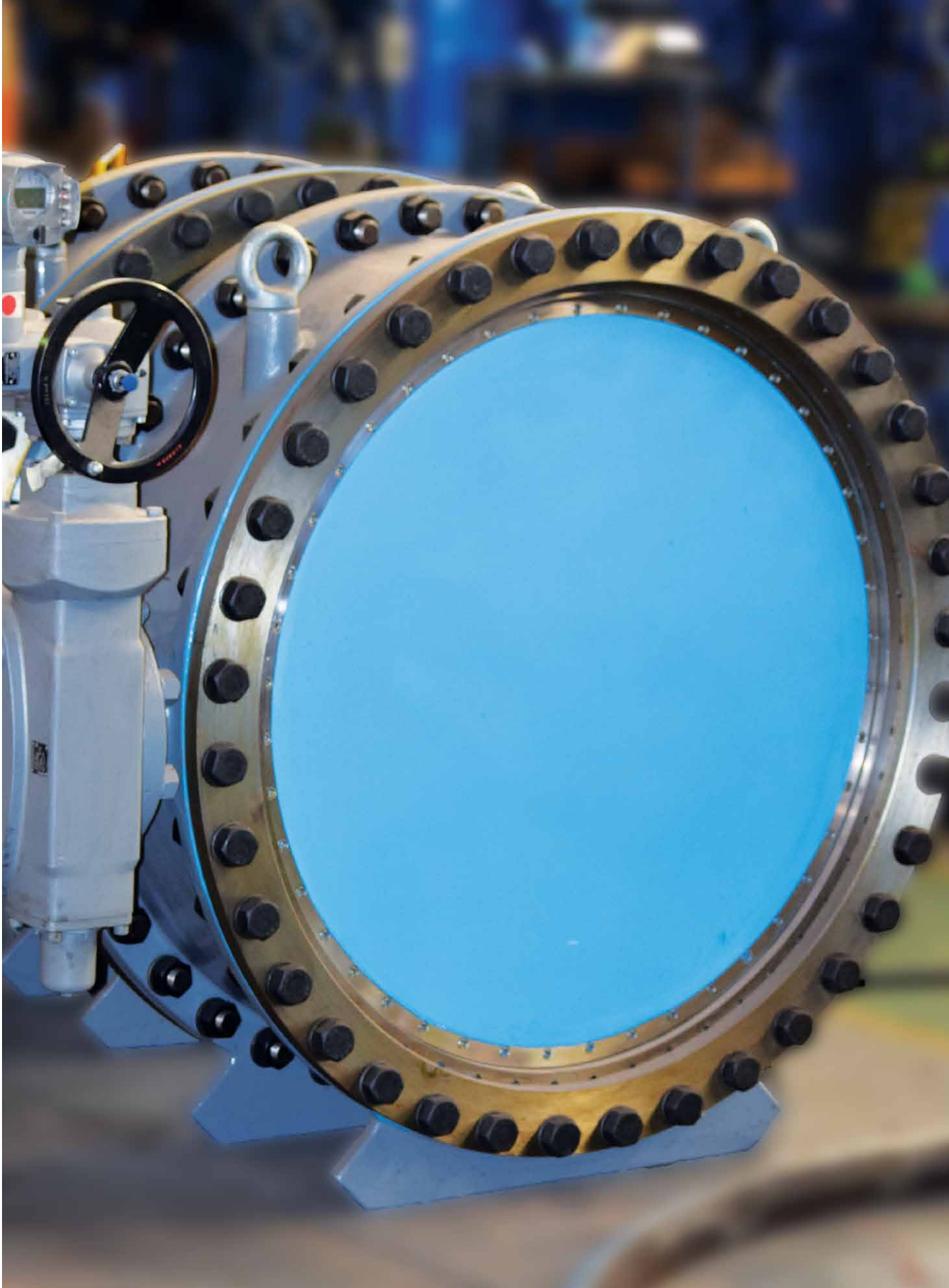




**GUNRIC** PRODUCT SELECTOR



# **GUNRIC PRODUCT SELECTOR**







**GUNRIC VALVES IS A PROUD  
MEMBER OF THE AVK GROUP**

# GUNRIC PRODUCT SELECTOR

Gunric Valves is a leading manufacturer and supplier of metal seated triple offset butterfly valves for the water, mining, gas, industrial and power generation industries, and is now a key member of the AVK Group.

In December 2016, AVK Holding acquired the Gunric Valves brand. This strategic investment enabled the South African Group to extend its manufactured product range to include large diameter and high pressure triple eccentric butterfly valves, metal seated tilting disc check valves and industrial dampers.

Gunric's metal seated butterfly valve is available in sizes up to DN2500 and pressures up to PN63. The design was first developed in South Africa - nearly 30 years ago - and utilises triple offset geometry to achieve precise contact between disc seat

and body seal in the full shut off position - without any rubbing or gauling. It is this bi-directional tight shut off feature that enables it to achieve a long, low maintenance service life in general water applications, as well as providing optimal performance and durability in severe service process environments.

Gunric's metal seated tilting disc check valves are available in sizes up to DN2500 and pressures up to PN40, whilst its range of custom made industrial dampers can be offered up to DN3000.

The combination of Gunric's triple offset butterfly valve product knowledge and 30 years' production experience, together with AVK's world leading manufacturing expertise and commitment to product and service excellence, now allows Gunric to meet AVK's high standards of safety and durability.

## TRIPLE ECCENTRIC HIGH PERFORMANCE BUTTERFLY VALVES

Incorporating tri-centric sealing geometry, the laminated stainless steel or solid metal seal of the Gunric Butterfly Valve provides bubble tight shut-off within a wide range of temperatures and pressures. The seal is held in position by a bolt-on retaining ring, and, together with the seat ring, is easily replaceable.

## METAL SEATED TILTING DISC CHECK AND DAMPER VALVES

The Gunric range of tilting disc check valves feature eccentric shafts and metal-to-metal sealing. This ensures the tight shut-off and efficient handling of various mediums. These valves are manufactured for installation in horizontal and vertical pipelines. Optional external hydraulic damper cylinders can be fitted to prevent the disc from slamming shut, ensuring smooth closing.



# PRODUCTS



## TRIPLE ECCENTRIC METAL SEATED BUTTERFLY VALVE

## METAL SEATED TILTING DISC CHECK VALVE

## DAMPER

### SERIES NO.

61/45

61/46

61/47

### DESCRIPTION

Gunric Triple Eccentric Butterfly Valve

Gunric Tilting Disc Check Valve

Butterfly Step Seat Design, 98% Shut off by volume

### APPLICATIONS

Water, Waste Water, Cooling Water, Mine Water, Chemicals, Steam and Gas

Water, Waste Water, Cooling Water and Mine Water

Hot air, gas and steam

### MAIN FEATURES

Bubble Tight Shut, Fire Safe Certified Design, High Cycle, High Performance, Large Diameters, ISO 5211 Mount

Metal to Metal Seal, Drip Tight Shut Off, Horizontal and Vertical Installation, Auto closing, Assisted Closing

Custom made design for application

### SIZES

80mm to 2500mm

80mm – 2500mm

100mm – 3000mm

### OPTIONS

Seals available in

- Laminated metal
- Solid metal
- PTFE
- ANSI B16.10

Hydraulic Cylinder, Step Seat Design, Lever with counter weight(s), Integral or replaceable seat

Gearbox, Pneumatic or Electric actuation

Corrosion protection Carboline 891 - 250 micron, S/S welding on blade edge, Actuators, Gearboxes, Packaging, Ex-Works Price

### VALVE RATING

PN2.5 – PN250, Class 125 to Class 1500

PN 2.5 – PN 40

PN 2.5 to PN 40

### TEMPERATURE RANGE

-35°C to +1000°C

-35°C to +425°C

-35°C to +1000°C

### BODY MATERIALS

Available in steel, ductile iron, stainless steel, nickel alloys, fabricated and castings available

Available in steel, ductile iron, stainless steel, nickel alloys, fabricated and castings available

Fabricated Mild Steel, Stainless Steel and Duplex Stainless Steel

### APPLICABLE STANDARDS

BS EN 593, BS EN 1092, DIN 2630 – 2638, ANSI B16.5, API 605, API 609 & AWWA C207

BS EN 593, BS EN 1092, DIN 2630 – 2638, ANSI B16.5, API 605, API 609 & AWWA C207

Manufacturers Standard

# METAL SEATED TRIPLE ECCENTRIC BUTTERFLY VALVE

Face to Face According to BS EN 593, ANSI B16.10, Flange drilling can accommodate BS EN 1092, DIN 2630-2638, ANSI B 16.5 API 605, B16.47, API 609 & AWWA C207. Pressure test according to BS EN 593

Double Flanged Triple Eccentric Butterfly Valve Materials.

**Body & Disc:** Fabricated carbon steel S355Jr, S.G. Iron BS2789 Gr.420, Cast Steel A216 WCB. Also Stainless Steel & Nickel Alloys

**Shaft:** Stainless Steel: 431(EN57)

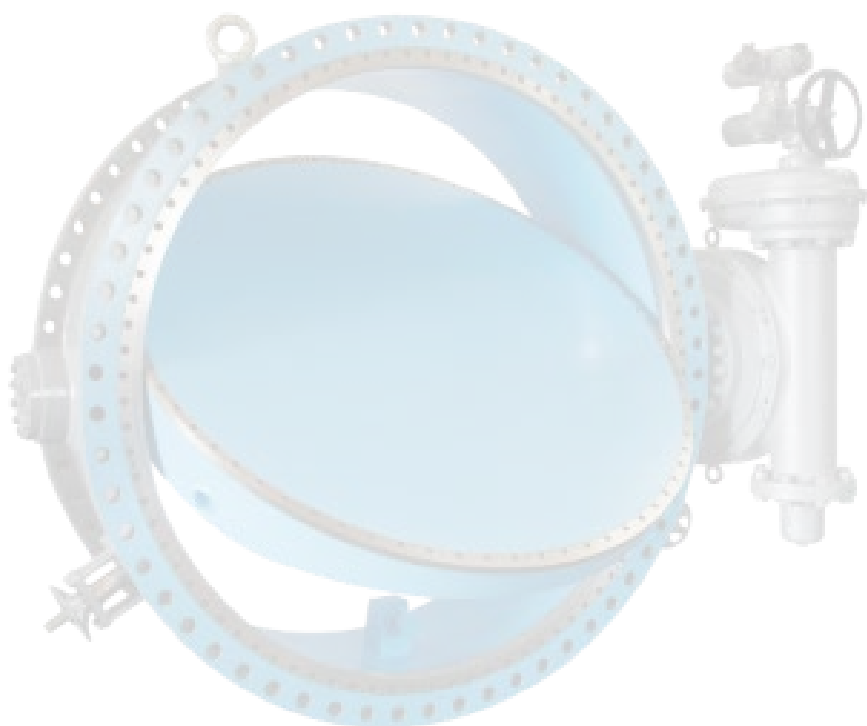
**Bearing bush:** Glacier DU, Stainless Steel 316 (Chrome Carbide), Phosphor Bronze

**Seal Ring:** Laminated Stainless Steel

**Seat Ring:** Stainless Steel 304

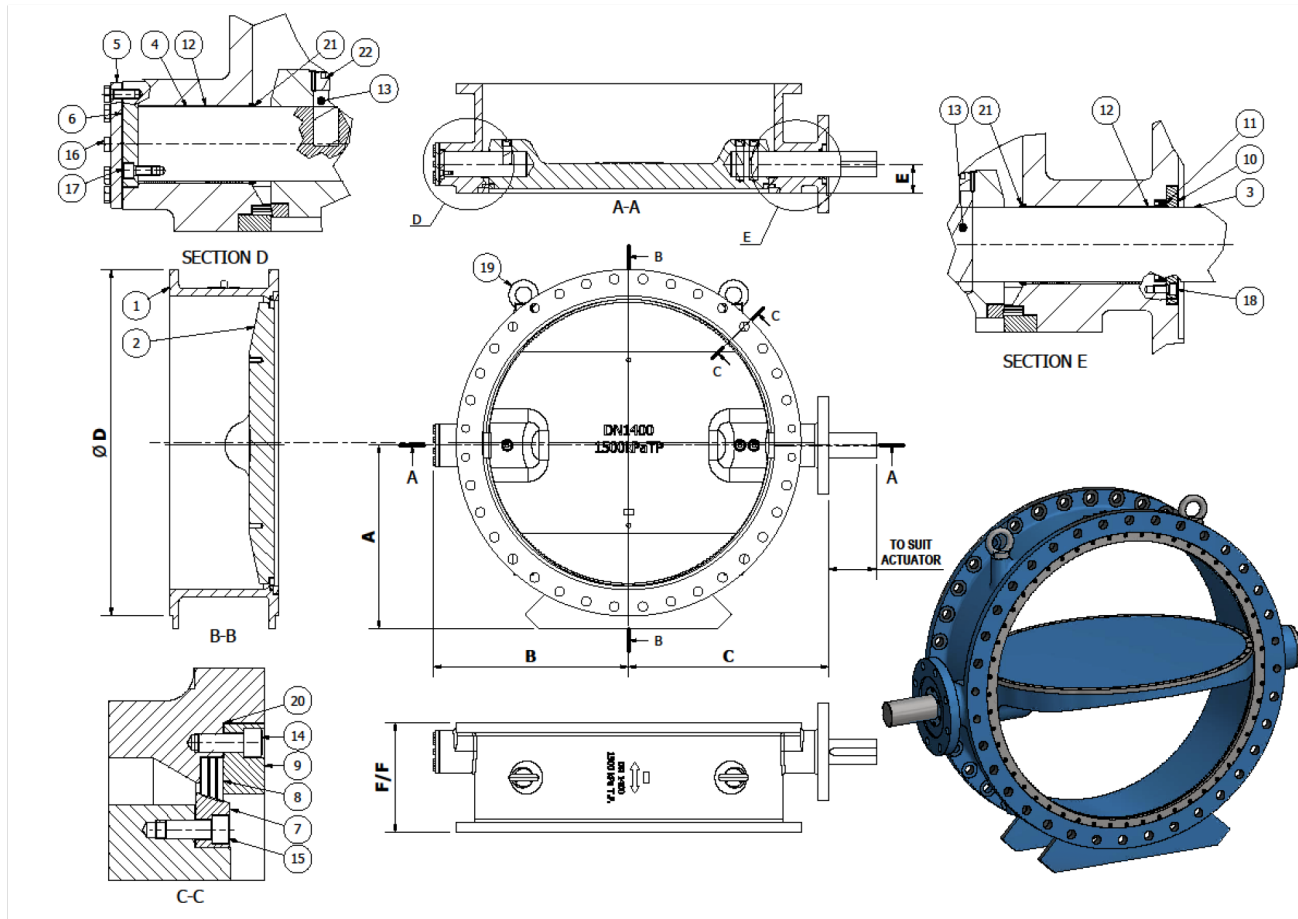
**Retaining Ring:** Stainless Steel 316

**Actuation:** Valves are generally fitted with worm gearboxes for manual operation. They can also be fitted with electric, pneumatic or hydraulic actuators to suit output drives in accordance with ISO 5211.



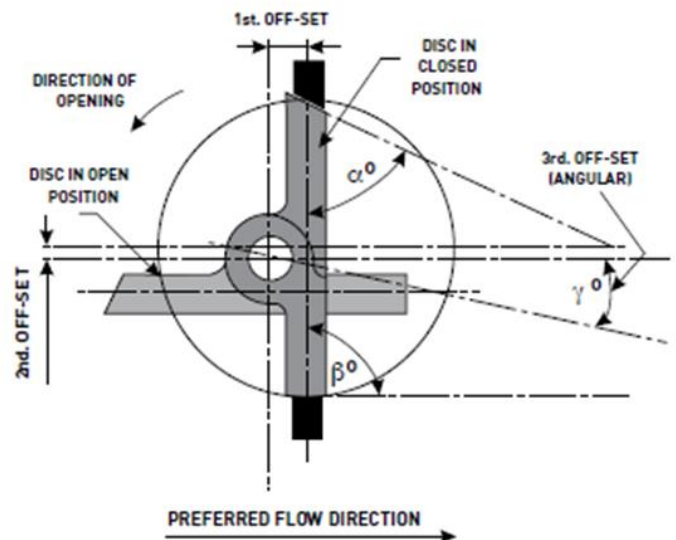


# METAL SEATED TRIPLE ECCENTRIC BUTTERFLY VALVE SERIES 61/45



## LEGEND

- |                   |                 |
|-------------------|-----------------|
| 1. Body           | 15. Seat Screw  |
| 2. Disc           | 16. Cover Screw |
| 3. Drive Shaft    | 17. Pad Screw   |
| 4. Free End Shaft | 18. Gland Screw |
| 5. End Cover      | 19. Eye Bolt    |
| 6. Thrust Pad     | 20. Gasket      |
| 7. Seat Ring      | 21. Wiper Seal  |
| 8. Valve Seal     | 22. Plug        |
| 9. Retaining Ring |                 |
| 10. Gland Ring    |                 |
| 11. Gland Seal    |                 |
| 12. Bearing Bush  |                 |
| 13. Pin           |                 |
| 14. Retain Screw  |                 |



**Series 61/45  
PN (PN10 - PN16)**

<b>Drawings Ref NO.</b>	<b>DN mm</b>	<b>PN Drilling</b>	<b>F/F mm</b>	<b>A mm</b>	<b>B mm</b>	<b>C mm</b>	<b>D mm</b>	<b>E mm</b>
AMF081024	80	10	114	-	135	140	200	28
AMF081624	80	16	114	-	135	140	200	28
AMF101024	100	10	127	-	160	165	210	28
AMF101624	100	16	127	-	170	190	220	28
AMF151024	150	10	140	142.5	185	205	285	35
AMF151624	150	16	140	142.5	185	205	285	35
AMF201024	200	10	152	170	215	220	340	36
AMF201624	200	16	152	-	225	245	340	36
AMF251024	250	10	203	230	240	250	395	44
AMF251624	250	16	165	255	290	300	405	44
AMF301024	300	10	178	-	285	310	445	49
AMF301624	300	16	178	-	290	310	460	46
AMF351024	350	10	190	252.5	345	350	505	80
AMF351624	350	16	190	260	350	360	520	55
AMF401024	400	10	216	335	370	405	565	56.4
AMF401624	400	16	216	-	350	370	580	55.9
AMF451024	450	10	222	-	360	375	615	60.8
AMF451624	450	16	222	-	360	380	640	80
AMF501024	500	10	229	385	450	460	670	91
AMF501624	500	16	229	408	450	465	715	91
AMF601024	600	10	267	440	490	500	780	82
AMF601624	600	16	267	450	520	540	840	85
AMF701024	700	10	292	490	540	560	895	90
AMF701624	700	16	292	490	560	575	910	90
AMF801024	800	10	318	560	610	630	1015	104
AMF801624	800	16	318	615	610	630	1025	104
AMF901024	900	10	330	605	630	635	1115	130
AMF901624	900	16	330	605	630	635	1125	130
AMF1001024	1000	10	410	665	675	725	1230	111
AMF1001624	1000	16	410	730	820	835	1255	150
AMF1201024	1200	10	470	780	850	865	1455	125
AMF1201624	1200	16	470	815	870	905	1485	70
AMF1401024	1400	10	530	900	950	970	1675	140
AMF1401624	1400	16	530	945	940	970	1685	140
AMF1601024	1600	10	600	1010	1075	1100	1915	165
AMF1601624	1600	16	600	1065	1090	1100	1930	165
AMF1801024	1800	10	670	1110	1185	1215	2115	180
AMF1801624	1800	16	670	1110	1185	1215	2115	180
AMF2001024	2000	10	760	1215	1290	1325	2325	250

**Series 61/45  
PN (PN25 - PN64)**

<b>Drawings Ref NO.</b>	<b>DN mm</b>	<b>PN Drilling</b>	<b>F/F mm</b>	<b>A mm</b>	<b>B mm</b>	<b>C mm</b>	<b>D mm</b>	<b>E mm</b>
AMF082524	80	25	114	-	120	135	200	29
AMF084024	80	40	180	-	155	160	200	31
AMF086424	80	64	180	-	155	165	215	31
AMF102524	100	25	127	-	170	190	235	29
AMF104024	100	40	190	-	170	190	235	30
AMF106424	100	64	190	-	180	190	250	30
AMF152524	150	25	140	150	190	190	300	35
AMF154024	150	40	210	150	205	220	300	36
AMF202524	200	25	152	-	260	265	360	39
AMF204024	200	40	230	-	260	265	375	45
AMF254024	250	40	250	275	310	325	450	48
AMF302524	300	25	178	-	315	320	485	46
AMF304024	300	40	270	310	320	340	515	52
AMF306424	300	64	270	-	320	355	530	64
AMF352524	350	25	190	-	315	320	555	55
AMF354024	350	40	290	290	385	390	580	63
AMF356424	350	64	280	-	385	400	600	63
AMF402524	400	25	216	340	405	415	620	57
AMF404024	400	40	216	-	420	440	660	55.5
AMF406424	400	64	310	435	425	450	670	95
AMF452524	450	25	222	380	430	450	670	80
AMF502524	500	25	229	415	450	465	730	91
AMF504024	500	40	350	430	500	515	755	87
AMF602524	600	25	267	520	525	550	845	85
AMF604024	600	40	390	670	550	580	890	120
AMF702524	700	25	292	580	590	605	960	90.3
AMF704024	700	40	430	600	610	635	995	145
AMF706424	700	64	430	625	630	660	1045	150
AMF802524	800	25	318	645	645	660	1085	95
AMF804024	800	40	470	670	680	715	1140	165
AMF806424	800	64	470	635	695	745	1165	165
AMF902524	900	25	330	640	675	695	1185	130
AMF904024	900	40	510	690	740	780	1250	155
AMF1002524	1000	25	410	760	785	870	1320	150
AMF1004024	1000	40	550	780	855	865	1360	170
AMF1204024	1200	40	630	840	920	930	1575	105
AMF1402524	1400	25	830	980	950	975	1755	187
AMF1602524	1600	25	600	1040	1120	1145	1975	170



## PN Series (PN100 - PN160)

Drawings Ref NO.	DN mm	PN Drilling	F/F mm	A mm	B mm	C mm	D mm	E mm
AMF0810024	80	100	180	-	170	175	230	32
AMF0816024	80	160	180	-	170	175	230	32
AMF1010024	100	100	190	-	195	205	265	31
AMF1016024	100	160	190	-	200	210	265	31
AMF2010024	200	100	230	-	250	265	430	63
AMF4010024	400	100	310	-	386	410	670	100

## Class Series (CL150 - CL300)

Drawings Ref NO.	DN Inch	PN Drilling	F/F mm	A mm	B mm	C mm	D mm	E mm
AMF3C1524	3"	150	114	-	121	135	190.5	28
AMF3C3024	3"	300	114	-	135	145	209.5	28
AMF4C1524	4"	150	127	-	155	165	228	30
AMF4C3024	4"	300	127	-	140	175	254	30
AMF6C1524	6"	150	140	-	195	215	280	35
AMF6C3024	6"	300	140	-	245	250	318	36
AMF8C1524	8"	150	152	-	225	245	434	36
AMF8C3024	8"	300	152	-	245	275	381	43
AMF10C1524	10"	150	165	-	250	270	407	45
AMF10C3024	10"	300	165	-	280	305	445	48
AMF12C1524	12"	150	178	-	290	310	483	46
AMF12C3024	12"	300	250	-	320	345	521	79
AMF14C1524	14"	150	190	-	320	355	534	55
AMF14C3024	14"	300	190	-	355	395	584	63
AMF16C1524	16"	150	216	-	350	370	597	56
AMF16C3024	16"	300	216	-	375	425	648	73
AMF18C1524	18"	150	222	-	375	400	635	61
AMF18C3024	18"	300	222	-	400	460	711	81
AMF20C1524	20"	150	229	-	410	440	699	86
AMF20C3024	20"	300	229	-	450	500	755	87
AMF24C1524	24"	150	267	-	455	505	813	76
AMF24C3024	24"	300	267	-	550	580	915	108
AMF28C1524	28"	150	292	510	550	570	927	146
AMF28C3024	28"	300	430	510	615	625	1035	180
AMF30C1524	30"	150	318	-	600	610	984	150
AMF32C1524	32"	150	318	-	650	655	1060	120
AMF32C3024	32"	300	470	-	615	650	1150	104
AMF36C1524	36"	150	330	635	675	700	1169	121
AMF36C3024	36"	300	510	620	720	740	1172	165
AMF40C1524	40"	150	410	-	750	770	1289	160
AMF40C3024	40"	300	550	-	710	825	1238	158
AMF42C1524	42"	150	410	-	780	795	1346	205
AMF44C1524	44"	150	410	-	840	835	1404	145
AMF48C1524	48"	150	470	-	850	920	1512	160
AMF52C1524	52"	150	470	-	955	940	1625	170

## Class Series (CL150 - CL300)

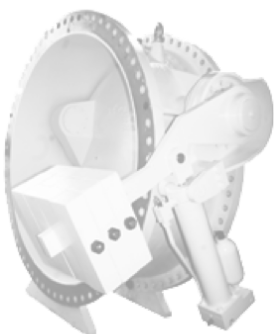
Drawings Ref NO.	DN Inch	PN Drilling	F/F mm	A mm	B mm	C mm	D mm	E mm
AMF60C1524	60"	150	530	980	1100	1070	1854	160.5
AMF68C1524	68"	150	600	-	1180	1200	1980	180
AMF70C1524	70"	150	670	-	1250	1225	2100	220
AMF72C1524	72"	150	670	1150	1240	1270	2197	255
AMF80C1524	80"	150	760	-	1425	1400	2415	250
AMF96C1524	96"	150	950	1500	1630	1650	2877	312

## Class Series (CL600 - CL1500)

Drawings Ref NO.	DN Inch	PN Drilling	F/F mm	A mm	B mm	C mm	D mm	E mm
AMF3C6024	3"	600	180	-	185	255	209.5	28
AMF6C6024	6"	600	210	-	215	210	356	46
AMF6C9024	6"	900	220	-	260	270	381	53
AMF8C6024	8"	600	230	-	255	265	419	62.5
AMF8C9024	8"	900	230	-	275	310	470	75
AMF10C6024	10"	600	250	-	290	310	508	64
AMF10C9024	10"	900	250	-	330	340	546	80
AMF12C6024	12"	600	270	-	330	340	559	91
AMF12C9024	12"	900	270	-	375	380	610	99
AMF14C6024	14"	600	290	-	350	370	603	95
AMF14C9024	14"	900	310	-	370	385	641	102
AMF14C15024	14"	1500	480	-	430	450	750	102
AMF18C6024	18"	600	330	-	425	475	743	115
AMF20C6024	20"	600	390	-	465	515	813	125
AMF20C9024	20"	900	450	-	485	510	858	140
AMF20C15024	20"	1500	600	-	550	584	984	140
AMF24C6024	24"	600	390	-	570	605	940	130
AMF30C15024	30"	1500	1000	845	950	970	1590	220

# METAL SEATED TILTING DISC CHECK VALVE SERIES 61/46

BB	Type	
01	Test Pressure (kPa) Body/Disc Material Dimension Remarks	1500 S.G.IRON – SANS 936 Gr 420/12 (BS 2789 Gr420/12) 0400-0600-0800 Flat face flanges
02	Test Pressure (kPa) Body/Disc Material Dimension Remarks	3500 S.G.IRON – SANS 936 Gr 420/12 (BS 2789 Gr420/12) 0400-0600-0700-0800-0900-1000-1400-1500-1800 Flat face flanges
03	Test Pressure (kPa) Body/Disc Material Dimension Remarks	5000 Cast Steel - A216 WCB 0150-0300-0450-0900 Raised face flanges O-ring groove on flanges ≤ 600
04	Test Pressure (kPa) Body/Disc Material Dimension Remarks	7000/8500 Cast Steel - A216 WCB 0600-0700-0900 Raised face flanges O-ring groove on flanges ≤ 600
05	Pressure Rating (kPa) Body/Disc Material Dimension	1000 M.S. SABS 1431/300WA (0200-1200) 0200-0250-0300-0350-0400-450-0500-600-800-0900-1000-1050(NS)-1200- 1350(NS)-1400-1500(NS)-1800
06	Pressure Rating (kPa) Body/Disc Material Dimension	1000 M.S. SABS 1431/300WA (0200-1200) 0200-0250-0300-0350-0400-450-0500-600-800-0900-1000-1050(NS)-1200- 1350(NS)-1400-1500(NS)-1800
07	Pressure Rating (kPa) Body/Disc Material Dimension	1000 ASTM A516 (Gr.70) 0200-0250-0300-0350-0400-0500-800-0900-1000-1050(NS)-1200-1350(NS)-1500(NS)
08	Pressure Rating (kPa) Body/Disc Material Dimension	1600 M.S. SABS 1431/300WA 0200-0250-0300-0350-0400-0500-0600-0800
09	Pressure Rating (kPa) Body/Disc Material Dimension	2500 M.S. SABS 1431/300WA 0300-0400-0500-0600-0800-0900-1000
10	Pressure Rating (kPa) Body/Disc Material Dimension	4000 M.S. SABS 1431/300WA 0400-0450-0600-0800
11	Pressure Rating (kPa) Body/Disc Material Dimension	800 (CL125) S.G.IRON – SANS 936 Gr 420/12 (BS 2789 Gr420/12) 52",60",72",84"
12	Pressure Rating (kPa) Body/Disc Material Dimension	800 (CL125) SS 316L 52",60"
13	Pressure Rating (kPa) Body/Disc Material Dimension	2000 (CL150) M.S. SABS 1431/300WA 18",20",24",28",36",40",42",48",52",54"
14	Pressure Rating (kPa) Body/Disc Material Dimension	2000 (CL150) SS904L 40"
15	Pressure Rating (kPa) Body/Disc Material Dimension	5000 (CL300) M.S. SABS 1431/300WA 8"



CC	Flanges Drilling
00	SANS 1123 – PN6
01	SANS 1123 – PN10
02	SANS 1123 – PN16
03	SANS 1123 – PN25
04	SANS 1123 – PN40
05	EN 1092-2 – PN6
06	EN 1092-2 – PN10
07	EN 1092-2 – PN16
08	EN 1092-2 – PN25
09	EN 1092-2 – PN40
10	Rand Water TP 1500 kPa
11	Rand Water TP 3500 kPa
12	Rand Water TP 5000 kPa
13	Rand Water TP 7000/8500 kPa

CC	Flanges Drilling
18	ANSI – CLASS 150
19	ANSI – CLASS 300
20	ANSI – CLASS 600
21	ANSI – CLASS 900
22	ANSI – CLASS 1500
23	SANS 1123 – PN2.5
24	BS4504 – PN2.5
25	BS4504 – PN6
26	BS4504 – PN10
27	BS4504 – PN16
28	BS4504 – PN25
29	BS4504 – PN40
30	AWWA C207 ‘CLASS D’
31	ANSI – CLASS 125

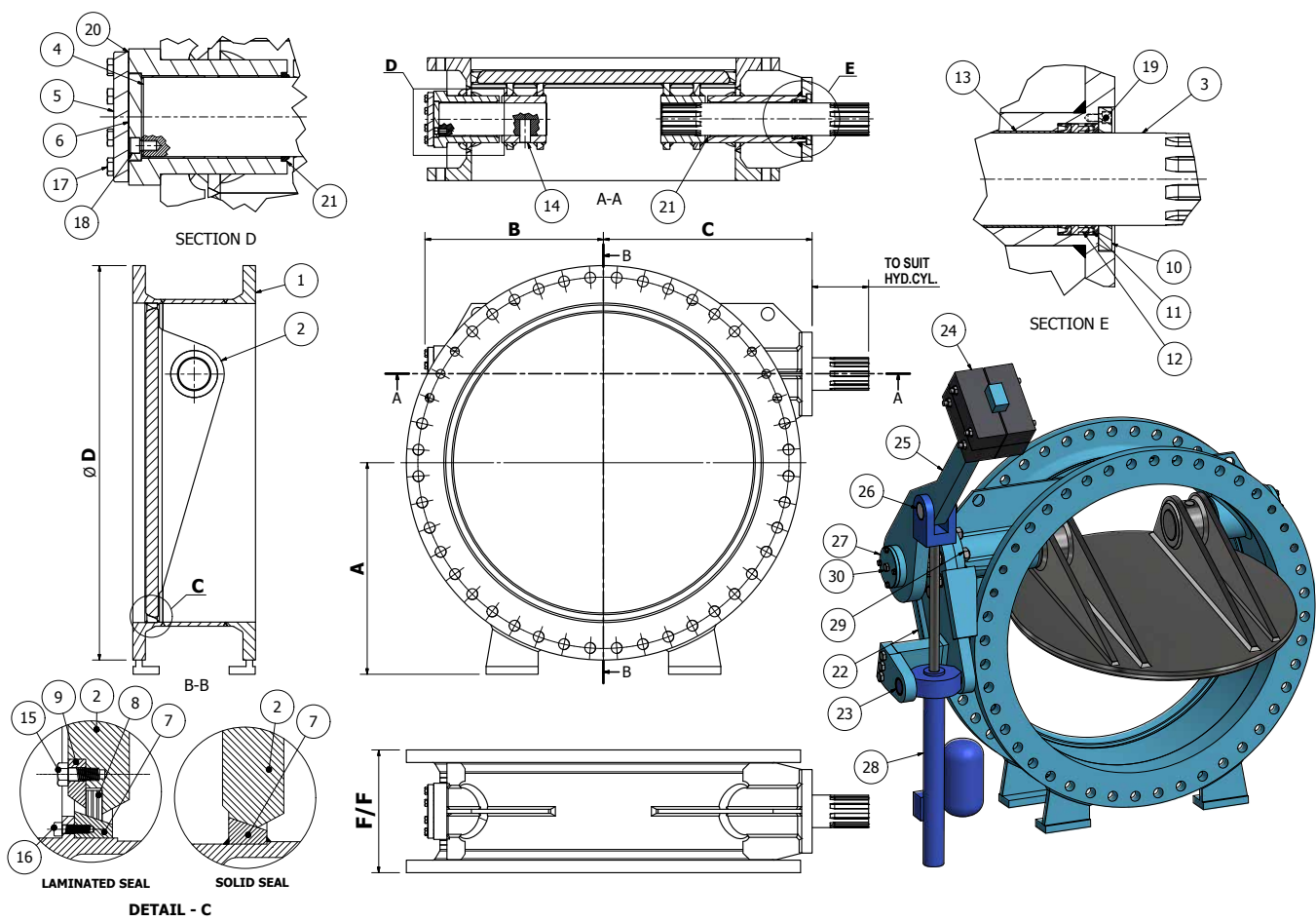


DD - Trim: Body Seat Ring / Valve Seal / Shaft / Shaft Bush				
	Body Seat Ring	Valve Seal	Shaft	Shaft Bush
35	ST/STEEL - 304	ST/STAINLESS – 316 (Laminated)	ST/STEEL - 431	Glacier – Steel & P.T.F.E.
36	ST/STEEL - 304	ST/STAINLESS – 316 (Laminated)	ST/STEEL - 431	Glacier – Bronze & P.T.F.E.
37	ST/STEEL - 304	ST/STAINLESS – 316 (Laminated)	ST/STEEL - 431	Phosphor Bronze
38	ST/STEEL - 304	ST/STAINLESS – DUPLEX (Laminated)	ST/STEEL - 431	Glacier – Steel & P.T.F.E.
39	ST/STEEL - 304	ST/STAINLESS – DUPLEX (Laminated)	ST/STEEL - 431	Glacier – Bronze & P.T.F.E.
40	ST/STEEL - 304	ST/STAINLESS – DUPLEX (Laminated)	ST/STEEL - 431	Phosphor Bronze



	Body Seat Ring	Valve Seal	Shaft	Shaft Bush
41	ST/STEEL - 304	ST/STEEL – 316 (Welded)	ST/STEEL - 431	Glacier – Steel & P.T.F.E.
42	ST/STEEL - 304	ST/STEEL – 316 (Solid)	ST/STEEL - 431	Glacier – Bronze & P.T.F.E.
43	ST/STEEL - 304	ST/STEEL – 316 (Solid)	ST/STEEL - 431	Phosphor Bronze
44	ST/STEEL - 304	ST/STEEL – DUPLEX (Solid)	ST/STEEL - 431	Glacier – Steel & P.T.F.E.
45	ST/STEEL - 304	ST/STEEL – DUPLEX (Solid)	ST/STEEL - 431	Glacier – Bronze & P.T.F.E.
46	ST/STEEL - 304	ST/STEEL – DUPLEX (Solid)	ST/STEEL - 431	Phosphor Bronze
47	ST/STEEL - 304	ST/STEEL – 316 (Laminated)	DUPLEX ST/STEEL	Glacier – Steel & P.T.F.E.
48	ST/STEEL - 304	ST/STEEL – 316 (Laminated)	DUPLEX ST/STEEL	Glacier – Bronze & P.T.F.E.
49	ST/STEEL - 304	ST/STEEL – 316 (Laminated)	DUPLEX ST/STEEL	Phosphor Bronze
50	ST/STEEL - 304	ST/STEEL – DUPLEX (Laminated)	DUPLEX ST/STEEL	Glacier – Steel & P.T.F.E.
51	ST/STEEL - 304	ST/STEEL – DUPLEX (Laminated)	DUPLEX ST/STEEL	Glacier – Bronze & P.T.F.E.
52	ST/STEEL - 304	ST/STEEL – DUPLEX (Laminated)	DUPLEX ST/STEEL	Phosphor Bronze
53	ST/STEEL - 304	ST/STEEL – 316 (Solid)	DUPLEX ST/STEEL	Glacier – Steel & P.T.F.E.
54	ST/STEEL - 304	ST/STEEL – 316 (Solid)	DUPLEX ST/STEEL	Glacier – Bronze & P.T.F.E.
55	ST/STEEL - 304	ST/STEEL – 316 (Solid)	DUPLEX ST/STEEL	Phosphor Bronze
56	ST/STEEL - 304	ST/STEEL – DUPLEX (Solid)	DUPLEX ST/STEEL	Glacier – Steel & P.T.F.E.
57	ST/STEEL - 304	ST/STEEL – DUPLEX (Solid)	DUPLEX ST/STEEL	Glacier – Bronze & P.T.F.E.
58	ST/STEEL - 304	ST/STEEL – DUPLEX (Solid)	DUPLEX ST/STEEL	Phosphor Bronze
59	ST/STEEL - 304	ST/STEEL – 316 (Laminated)	Inconel	ST/STEEL – 316 (Plated)
60	ST/STEEL - 304	ST/STEEL – DUPLEX (Laminated)	Inconel	ST/STEEL – 316 (Plated)
61	ST/STEEL - 304	ST/STEEL – 316 (Solid)	Inconel	ST/STEEL – 316 (Plated)
62	ST/STEEL - 304	ST/STEEL – DUPLEX (Solid)	Inconel	ST/STEEL – 316 (Plated)
63	ST/STEEL - 304	ST/STEEL – 316 (Laminated)	Monel 500	ST/STEEL – 316 (Plated)
64	ST/STEEL - 304	ST/STEEL – DUPLEX (Laminated)	Monel 500	ST/STEEL – 316 (Plated)
65	ST/STEEL - 304	ST/STEEL – 316 (Solid)	Monel 500	ST/STEEL – 316 (Plated)
66	ST/STEEL - 304	ST/STEEL – DUPLEX (Solid)	Monel 500	ST/STEEL – 316 (Plated)
67	ST/STEEL - 304	ST/STEEL – 316 (Laminated)	17/4 PH	ST/STEEL – 316 (Plated)
68	ST/STEEL - 304	ST/STEEL – DUPLEX (Laminated)	17/4 PH	ST/STEEL – 316 (Plated)
69	ST/STEEL - 304	ST/STEEL – 316 (Solid)	17/4 PH	ST/STEEL – 316 (Plated)
70	ST/STEEL - 304	ST/STEEL – DUPLEX (Solid)	17/4 PH	ST/STEEL – 316 (Plated)
71	ST/STEEL - 316	ST/STEEL – 316 (Laminated Metal Seal)	ST/STEEL – 316	Glacier – Steel & P.T.F.E.
72	ST/STEEL - 316	ST/STEEL – 316 (Laminated Metal Seal)	ST/STEEL – 316	Glacier – Bronze & P.T.F.E.
73	ST/STEEL - 316	ST/STEEL – 316 (Laminated Metal Seal)	ST/STEEL – 316	Phosphor Bronze
74	ST/STEEL – 904L	ST/STEEL – 904L (Laminated)	ST/STEEL – 904L	ST/STEEL – 904L
75	ST/STEEL – 316L	ST/STEEL – 316L (Laminated)	ST/STEEL – 316L	Glacier – Bronze & P.T.F.E.
76	ST/STEEL - 304	ST/STEEL – 316 (Weld Deposit)	ST/STEEL - 431	Vesconite

E - Coating	
1	Carboline – Carboguard 891 – 2 Pack Epoxy - 300 Mic. Internal, 250 Mic. External
2	Carboline – Carboguard 891 – 2 Pack Epoxy - 400 Mic. Internal, 300 Mic. External
6	Pickle & Passivate ( Stainless steel valve only)
7	Carboline – Carboguard 891 – 2 Pack Epoxy - 250 Mic External
8	Carboline – Carboguard 891 – 2 Pack Epoxy - 300 Mic External
9	Carboline – Carboguard 891 – 2 Pack Epoxy - 400 Mic External
P	Carboline – Carboguard 550 – 2 Pack Epoxy - 400-500 Mic Internal & External
Q	Carboline – Carboguard 891 – 2 Pack Epoxy - 250 Mic. Internal, 200 Mic. External
R	Sigmaguard CSF 575 – 2 Pack Epoxy – 500 Mic – Internal & External
S	Silicone Aluminium 580 - 2 Pack Epoxy – 50-80 Mic. Internal & External



## LEGEND

- |                   |                         |                   |                       |
|-------------------|-------------------------|-------------------|-----------------------|
| 1. Body           | 9. Retaining Ring       | 17. Cover Screw   | 25. Counterweight arm |
| 2. Disc           | 10. Gland Ring          | 18. Pad Screw     | 26. Clevis Pin        |
| 3. Drive Shaft    | 11. Gland Seal          | 19. Gland Screw   | 27. End Plate         |
| 4. Free End Shaft | 12. Seal Expanding Ring | 20. Gasket        | 28. Hyd. Cylinder     |
| 5. End Cover      | 13. Bearing Brush       | 21. Wiper Seal    | 29. Bracket Bolt      |
| 6. Thrust Pad     | 14. Pin                 | 22. Bracket       | 30. End Plate Screw   |
| 7. Seat Ring      | 15. Retaining Screw     | 23. Trunnion Bush |                       |
| 8. Valve Seal     | 16. Seat Screw          | 24. Counterweight |                       |





# REFERENCES

Whether high operating pressures, demanding operating cycles or extreme temperatures Gunric supplies valves across the world.

## **72" Butterfly Valve at -50°C**

Gunric Valves supplied a refinery in Kazakhstan with valves with steam tracing capabilities to help prevent valves from cracking during plant shutdown in winter.

## **1350mm Metal Seated Butterfly Valve at 950°C**

Gunric Valves supplied a platinum smelter with a valve for operation in a gas furnace at a temperature of 950° Celsius.

## **CL 1 500 Butterfly Valves for Steam Application**

Gunric Valves supplied 3 of the world's highest pressure 30" valves for a steam application at 117 bar in Saudi Arabia. These valves are designed to operate at over 519° Celsius.

## **Butterfly Valve Tested to 500 000 Operating Cycles**

To help avoid maintenance at water depths of over 40m, Gunric Valves manufactured a triple-eccentric butterfly valve to last well over 50 years at a dam in Aachen, Germany. By opening and closing 4 times a day, this will eventually amount to over 500 000 actuations.

**GUNRIC ADMIN & SALES  
(BASED AT AVK SA)**

10 Chris Street (c/o Chris and  
Garfield Road)  
Alrode, Alberton  
Gauteng  
South Africa  
1449

**CONTACT NUMBER:**  
+27 11 908 3760

**EMAIL:**

[sales@premiervalves.com](mailto:sales@premiervalves.com)  
[markw@premiervalves.com](mailto:markw@premiervalves.com)

**FOR MORE INFORMATION VISIT**

[www.avkvalves.co.za](http://www.avkvalves.co.za)

